



A TOTAL SOLUTION TO MARINE & OFFSHORE INDUSTRIES **ISSUE 1**

Norr Systems announces joint venture with EMI for the Dynamic Positioning System

We are very pleased to announce of the successful joint venture of our company with Engine Monitor Inc. (EMI) - an official DP maker in the US. Jointly developed by the two companies, Norr P-Class Dynamic Positioning made it possible to deliver the most versatile solution with ready interface for retrofit and new buildings.

Norr Systems has an unrivalled experience in design, manufacturing, and services solutions for marine and offshore industries. This comprises a strong fundamental for the company's endeavor to venture into manufacturing and complete systems integration. On the other hand, EMI has a long history of service offerings to the marine industry through state-of-the-art engineering and manufacturing to US-based clients. The resulting entity of the joint venture is aimed at delivering new DP System with improved features.

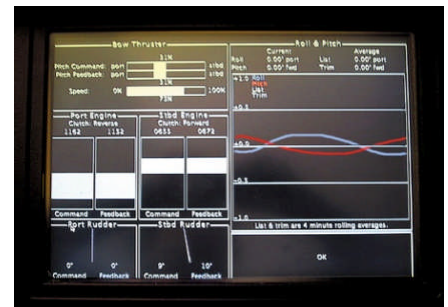
✓ **We are your global partner on marine, power and offshore systems...**

✓ **Our core products and services:**

- Vessel Management System
- Emergency Shut Down System
- Cargo Valve Remote Control System
- Tank Management System
- Anti-heeling System
- Fire and Gas Detection System
- Alarm Monitoring System
- Loading Computer System
- Main Switchboards (Low & Medium Voltage)
- Power Management System
- Dynamic Positioning System
- E & I Retrofit & Engineering Works



User Graphics Interface designed with simple operator touch screen operability

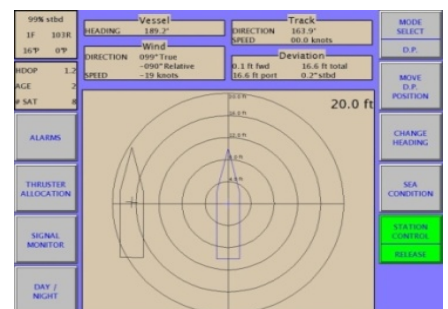


Signal monitor in Night Reverse Color Display shows thruster command and feedback with roll/pitch and list/trim displays

Norr P-Class Dynamic Positioning

Features:

- DP algorithms based on proven PID Controller/ Feedback technology and ship's model with built-in Kalman filter
- The platform for the software is a LINUX Operating System
- The program is written in the JAVA-PC software code
- The system uses a TCP/UDP/IP interfaced client/server network for continuous rapid communications between the server and the clients
- The TCP/IP further allows for remote telnet access for remote diagnostics
- Optional feature to telnet is the Cellular or Satellite phone system



The display for the DP mode shows a visual indication of the vessel position compared to the desired position

For more information on our DP products, please contact our sales team at +65 6785 0500 or email at info@norrsystems.com.